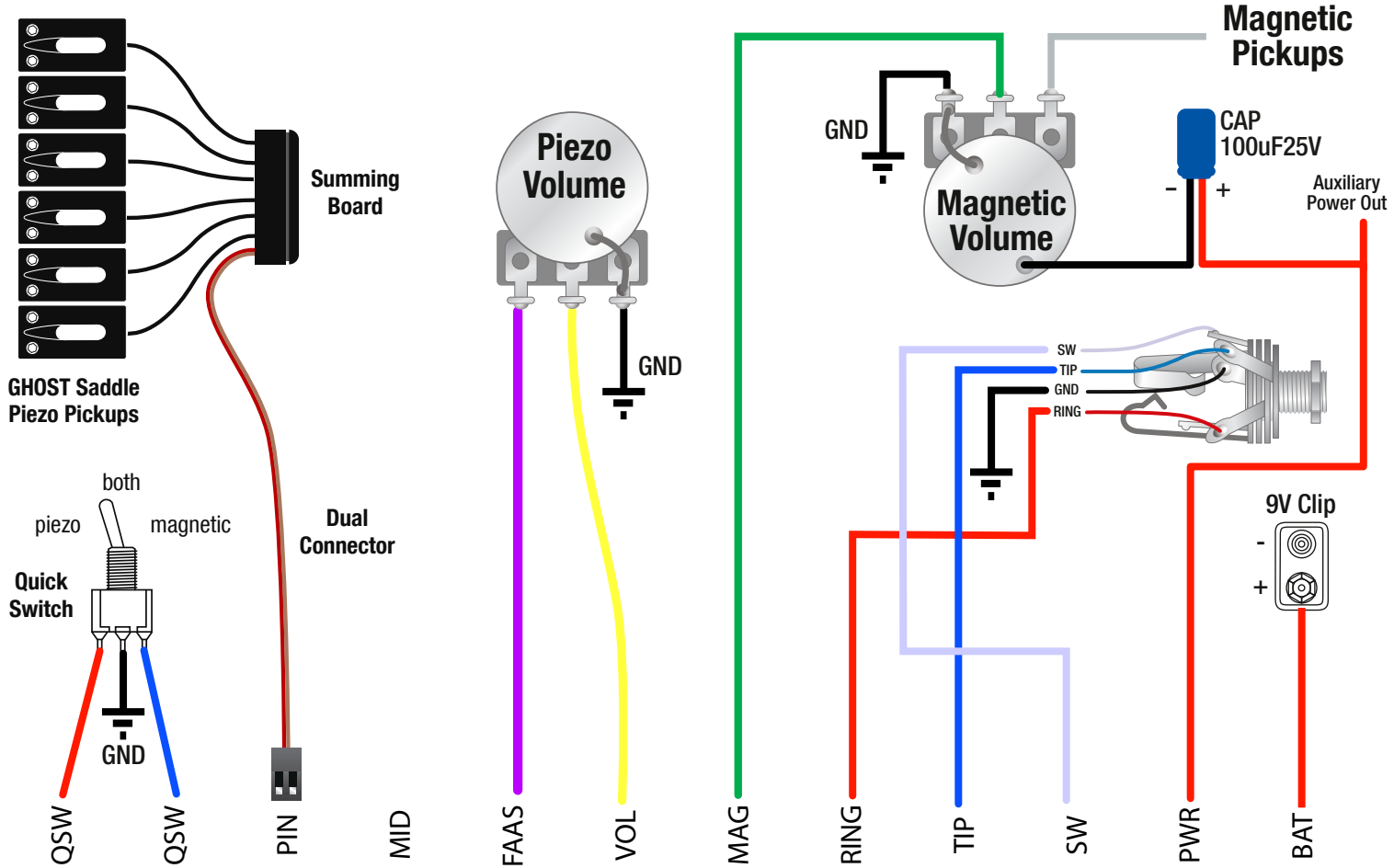
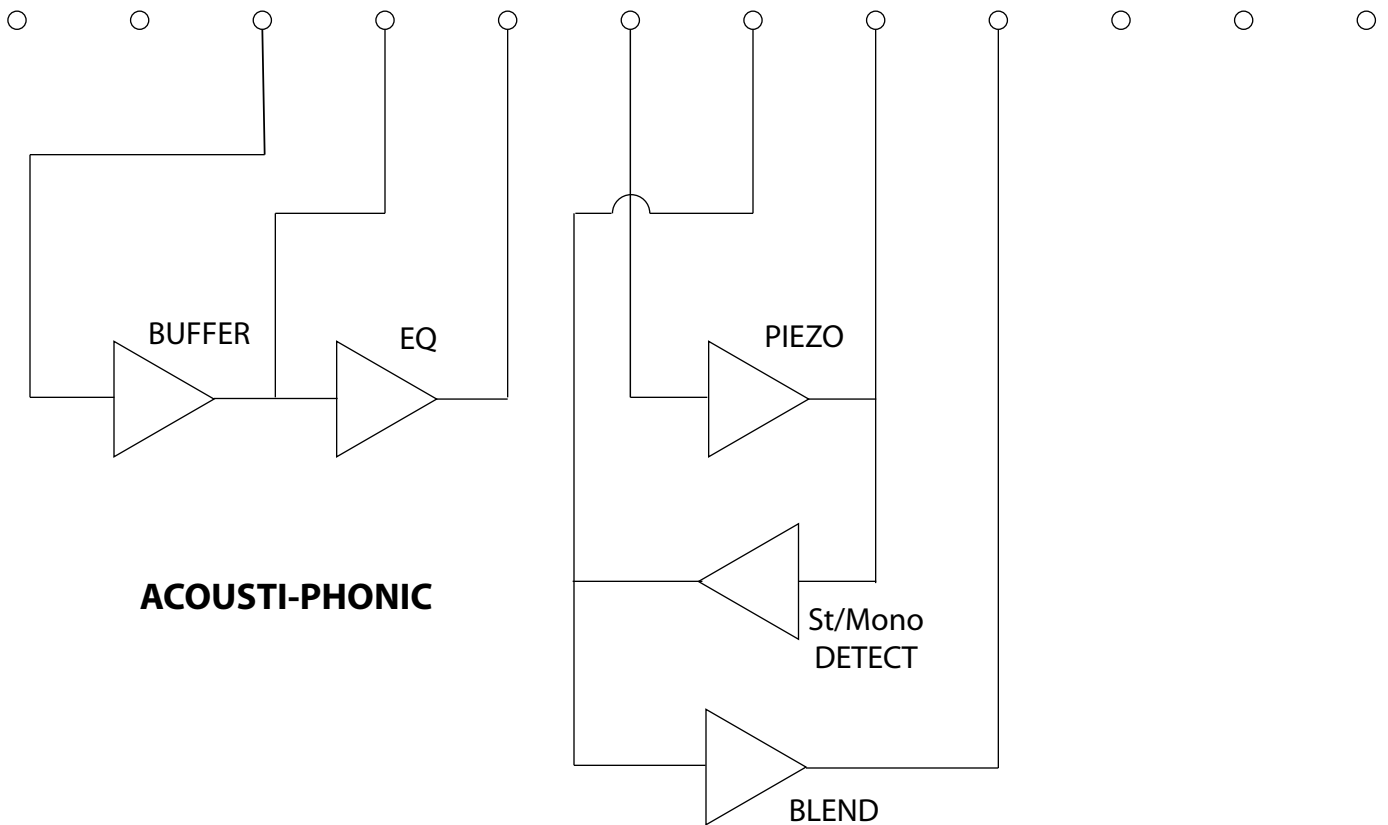


ACOUSTI-PHONIC with Piezo Volume, QuickSwitch, Jack



signal through-pins on Acousti-Phonic board (ground pins not shown)



ACOUSTI-PHONIC