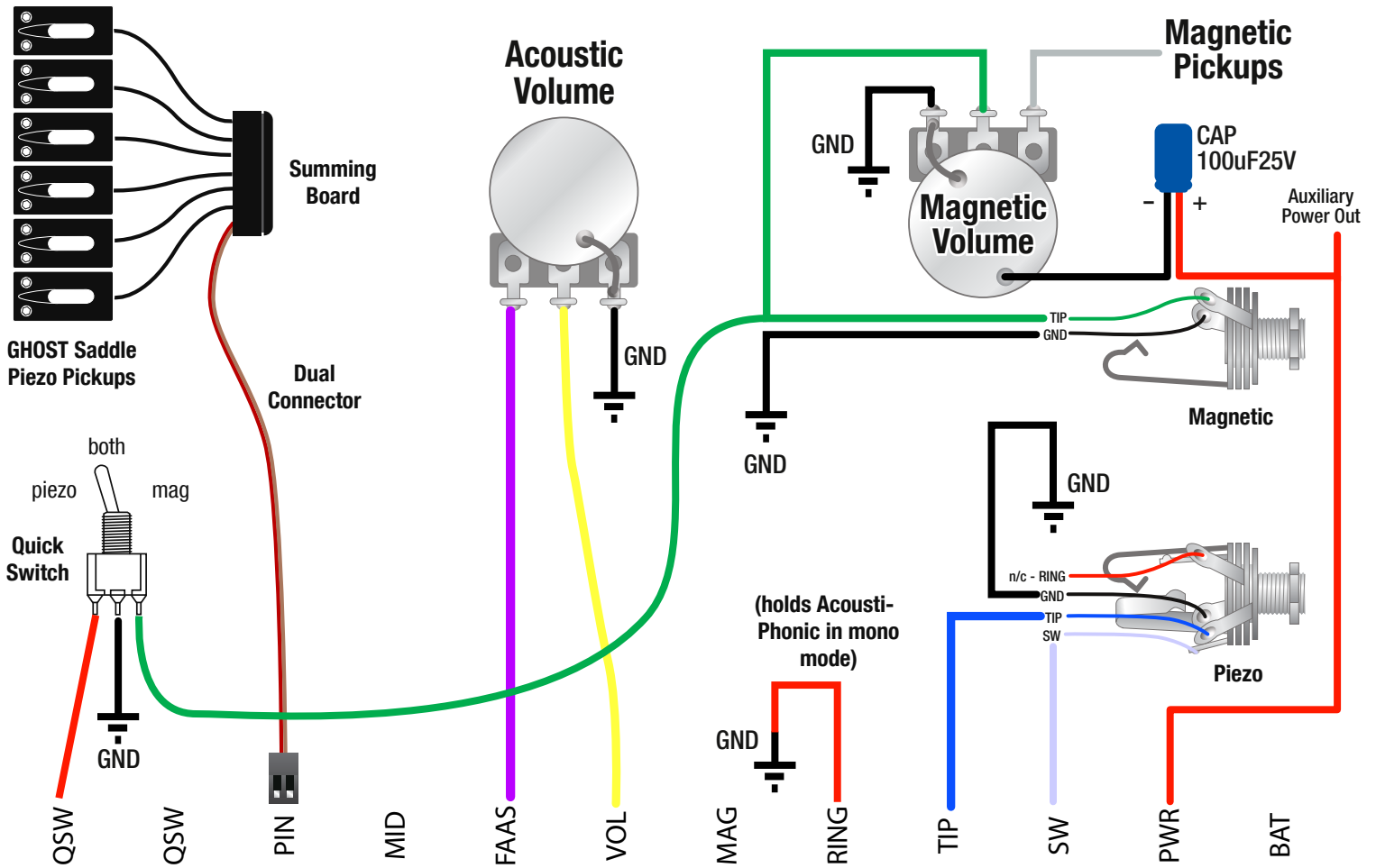


# ACOUSTI-PHONIC with Dual Output Jacks for Piezo and Magnetic (true bypass)



signal through-pins on Acousti-Phonic board (ground pins not shown)

