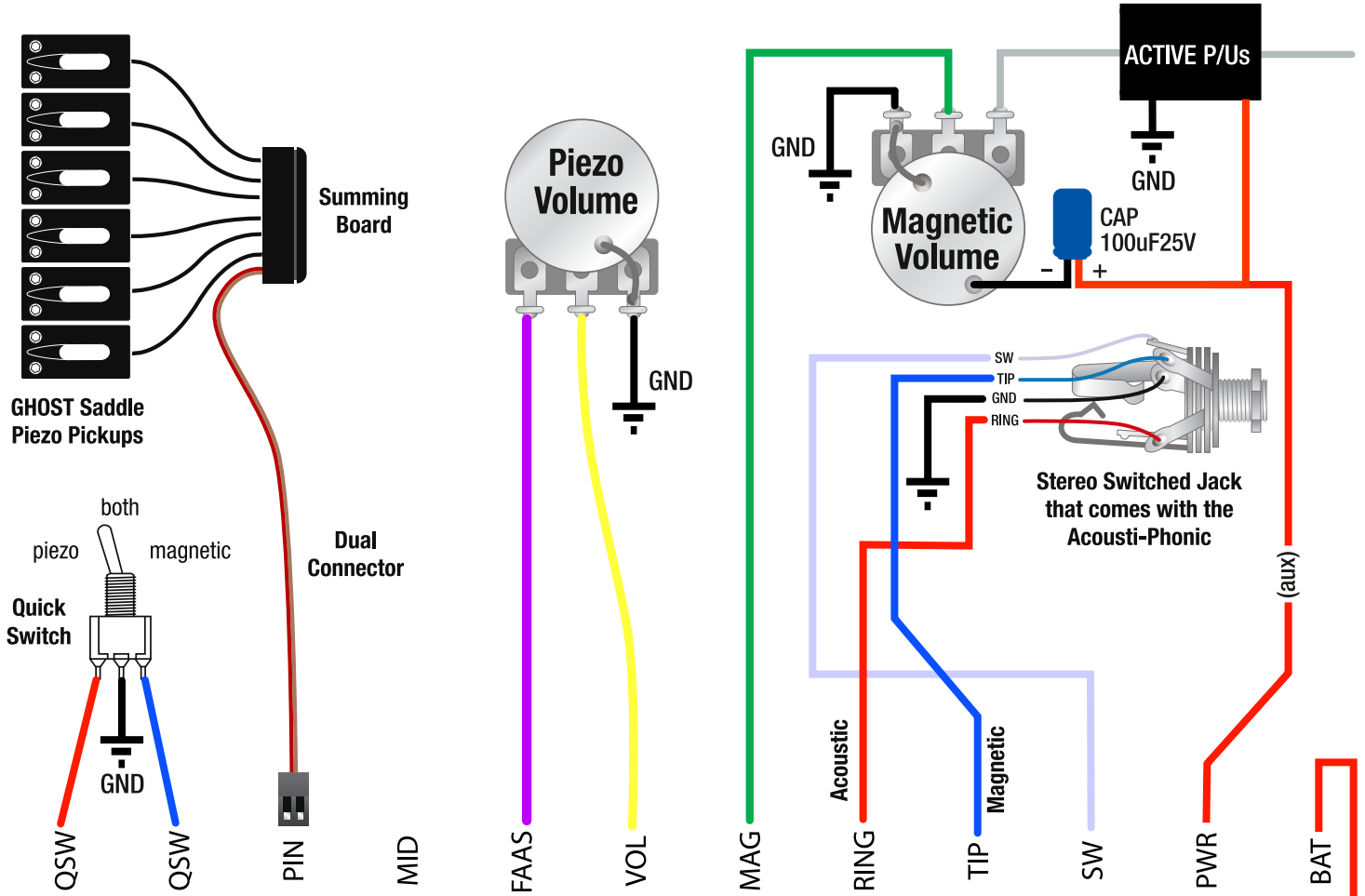
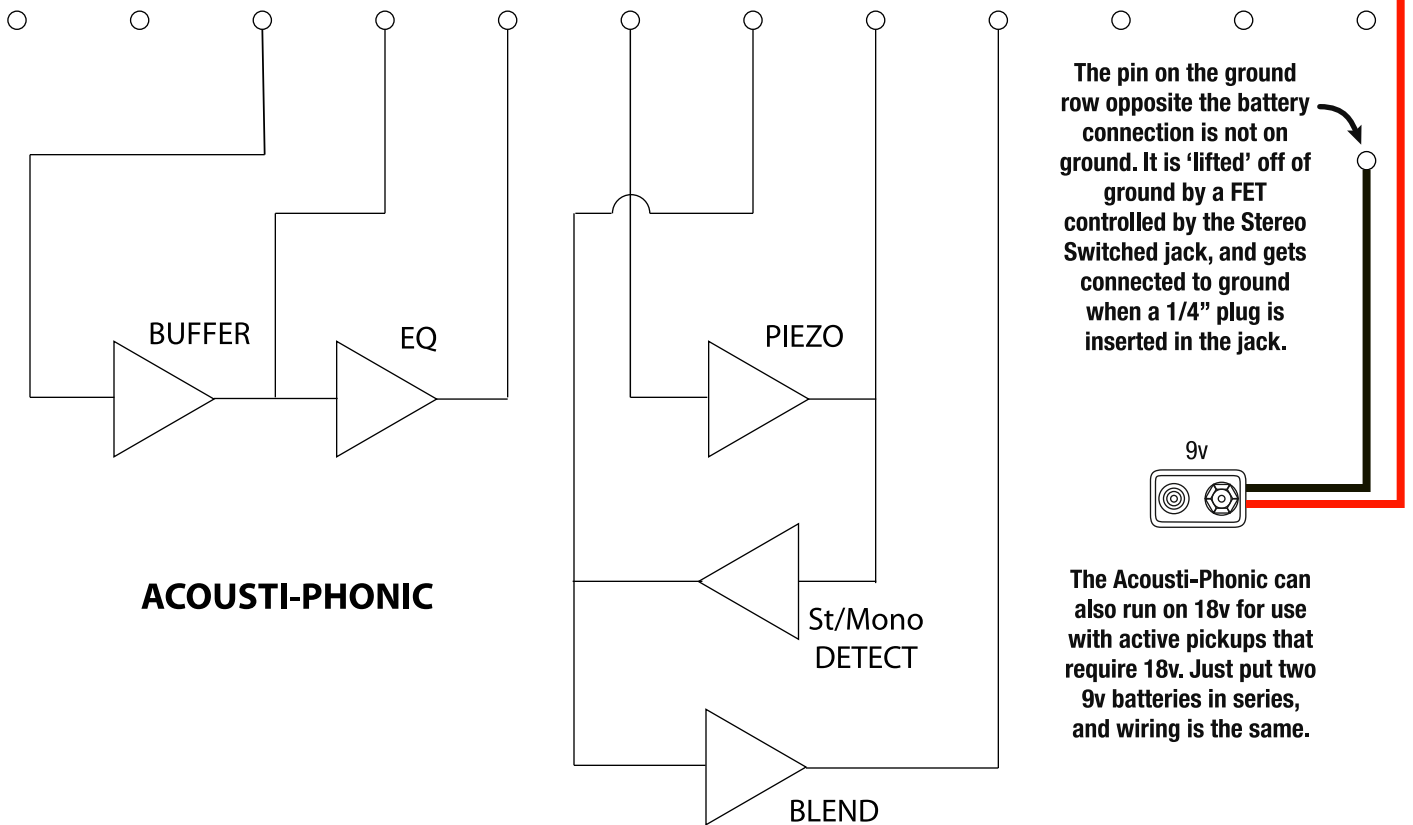


ACOUSTI-PHONIC with Active Mag Pickups, Output Jack Powers Both



signal through-pins on Acousti-Phonic board (ground pins not shown)



The Acousti-Phonic can also run on 18v for use with active pickups that require 18v. Just put two 9v batteries in series, and wiring is the same.